



PORTABLE SOLUTIONS

A Division of All Cover Portable Systems Inc.

GARDEN CENTER & STORE FRONT SYSTEMS

MONSTER CART SERIES

Think **Outside** The Store®

Patented Designs

ALL SEASON 365 DAYS

- IMMENSE HOLDING CAPACITY**
- EXCELLENT STORE FRONT MERCHANDISER**
- HEAVY DUTY CASTERS & STEP BRAKES**
- HANGING FLOWER BASKET RAILS**
- OPTIONAL WREATH HANGR**
- ADJUSTABLE SIGN HOLDER**
- VERY EASY TO ROLL WHEN LOADED**
- EXEPTIONALY STABLE**
- HOT DIPPED GALVANIZED CONSTRUCTION**
- DROP TOGETHER ASSEMBLY**



RH-1/28/2012

STEEL MESH SHELVES



4X8-HDMC

4' x 8' Heavy Duty Monster Cart
Hot Dipped Galvanized Steel
c/w 3 - 96" x 22" Wire Mesh Shelves
2 Flower Rails,
7" x 68" Adjustable Sign Holder
4 Heavy Duty Castors & 2 Step Brakes

4X10-HDMC

4' x 10' Heavy Duty Monster Cart
Hot Dipped Galvanized Steel
c/w 3 - 120" x 22" Wire Mesh Shelves
2 Flower Rails,
7" x 68" Adjustable Sign Holder
4 Heavy Duty Castors & 2 Step Brakes



4X8-HDMC-C

4' x 8' Heavy Duty Monster Cart with Shade Canopy
Hot Dipped Galvanized Steel
c/w 3 - 96" x 22" Wire Mesh Shelves
2 Flower Rails
7" x 68" Adjustable Sign Holder
4 Heavy Duty Castors & 2 Step Brakes
Vinyl Canopy

4X10-HDMC-C

4' x 10' Heavy Duty Monster Cart with Shade Canopy
Hot Dipped Galvanized Steel
c/w 3 - 120" x 22" Wire Mesh Shelves
2 Flower Rails
7" x 68" Adjustable Sign Holder
4 Heavy Duty Castors & 2 Step Brakes
Vinyl Canopy



4X8-HDMC-NSF

4' x 8' Heavy Duty Monster Cart
Hot Dipped Galvanized Steel
c/w 3 - 96" x 22" Wire Mesh Shelves
4 Heavy Duty Castors & 2 Step Brakes

4X10-HDMC-NSF

4' x 10' Heavy Duty Monster Cart
Hot Dipped Galvanized Steel
c/w 3 - 120" x 22" Wire Mesh Shelves
4 Heavy Duty Castors & 2 Step Brakes

PLASTIC MOULDED SHELVES



4X8-HDMCP

4' x 8' Heavy Duty Monster Cart
Hot Dipped Galvanized Steel
c/w 3 - 96" x 22" Plastic Moulded Shelves
2-Flower Rails
7" x 68" Adjustable Sign Holder
4 Heavy Duty Castors & 2 Step Brakes



4X8-HDMCP-NSF

4' x 8' Heavy Duty Monster Cart
Hot Dipped Galvanized Steel
c/w 3 - 96" x 22" Plastic Moulded Shelves
4 Heavy Duty Castors & 2 Step Brakes

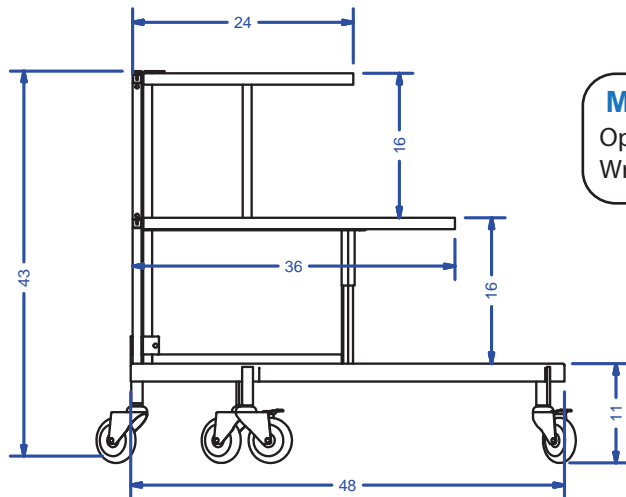
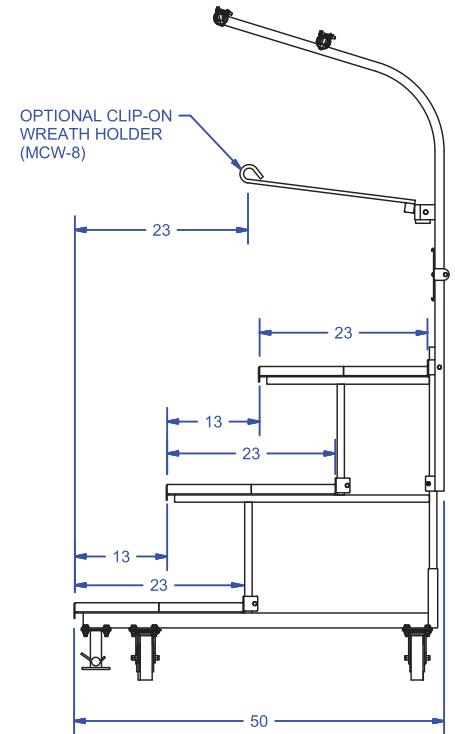
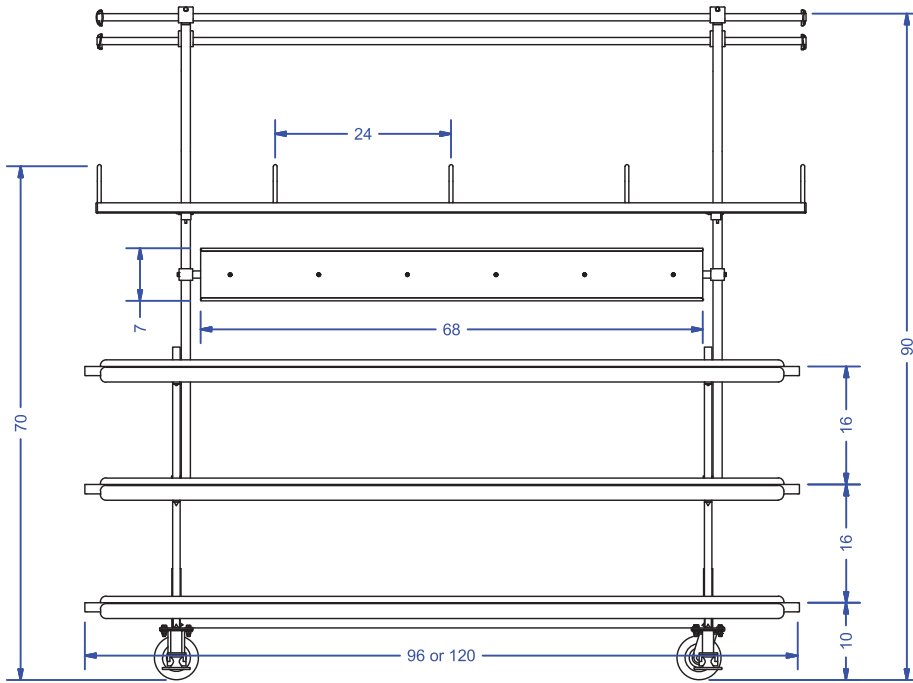


4X8-HDMCP-C

4' x 8' Heavy Duty Monster Cart with Shade Canopy
Hot Dipped Galvanized Steel
c/w 3 - 96" x 22" Plastic Moulded Shelves
2-Flower Rails,
7" x 68" Adjustable Sign Holder
4 Heavy Duty Castors & 2 Step Brakes



ALL DIMENSIONS TO THE NEAREST INCH



MCW-8
Optional Monster Cart
Wreath Display



4X*-HDMC Monster Cart shown
with optional Wreath Display Bar



4X8-HDMCP-NSF

Monster Cart Quarter Round End Cap
Hot Dipped Galvanized Steel
3 Tiered Wire Mesh Shelves
c/w 2 Swivel Castors & 2 Braking Castors
Matches up to Monster Cart Series



Think **Outside** The Store[®]

Taking the lead as a service oriented company in a highly competitive market place requires spending as much time and energy as possible, developing better systems with greater efficiencies. OutFront Portable Solutions is constantly listening to the needs & requirements of a customer base that spans across North America.

This is the reason that OutFront Portable Solutions has diversified so well, into new and exciting areas such as merchandise & display systems, shopping cart corrals, rugged heavy duty carts, industrial storage & containment solutions and much more.

Not only by anticipating what customers 'may' need, but in a real and very proactive manner OutFront Portable Solutions has responded with some award winning new products directly due to specific customer requests and requirements.

In terms of both product, service and new ideas we ask all our customers, 'think outside the store' and challenge us".

Sincerely,
Tony Van Es Sr., President

