

# 6X6 FULL CIRCLE MONSTER CART

6 FT HIGH X 6 FT WIDE

- WIDE STANCE
- 4 HEAVY DUTY 5" BRAKING CASTERS
- EXTREMELY EASY TO PUSH
- SUPERIOR STABILITY
- DROP IN SIGN HOLDER

-FLATTENED WIRE MESH SHELVES

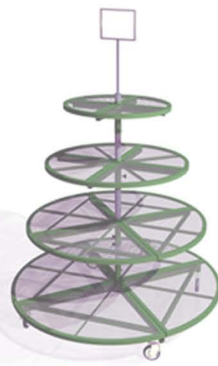
-SUPPORT PLATFORMS ARE FULLY  
ADJUSTABLE & DOUBLE  
SECURED WITH DUAL SET  
SCREWS

POWDER COATED  
OR  
'HOT DIP' GALVANIZED  
MODELS AVAILABLE

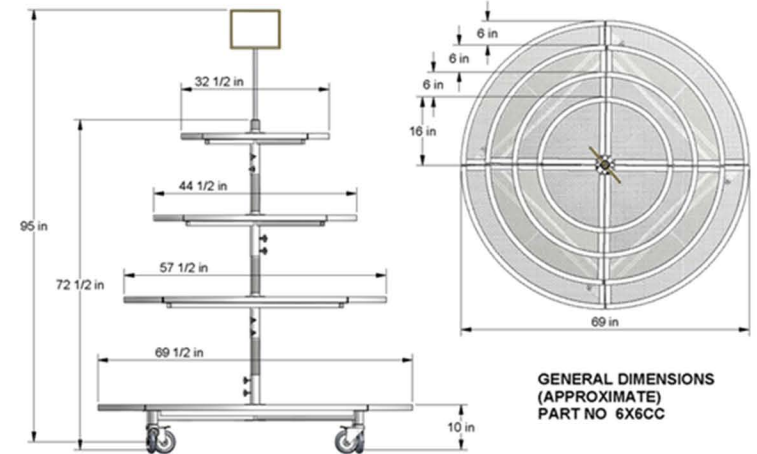
[www.outfrontps.com](http://www.outfrontps.com)



**SIMPLE INSTANT  
DROP TOGETHER  
ASSEMBLY**



**NO BOLTS REQUIRED**  
Ships & Stores Flat Packaged



**OutFront**<sup>®</sup>

**PORTABLE SOLUTIONS**

A Division of All Cover Portable Systems Inc.

1 800 282 1239